

POMPE A GIRANTE ELASTICA PER RAFFREDDAMENTO MOTORE

Tipo pompa : FPR 047 - A=18 - * Service Kit : 5335

Codice per ordine : 548

047: JOHNSON : F5B-9002-10-24119-2 - 1/1 Cam

047: JOHNSON : F5B-9022-10-24119-3 / JABSCO : 3270-200

047: JOHNSON : F5B-9006-10-24119-7 / JABSCO : 3270-2401-Cam 1/1

047: JOHNSON : F5B-9007-10-24119-8 / JABSCO : 3270-2101-Cam 1/1

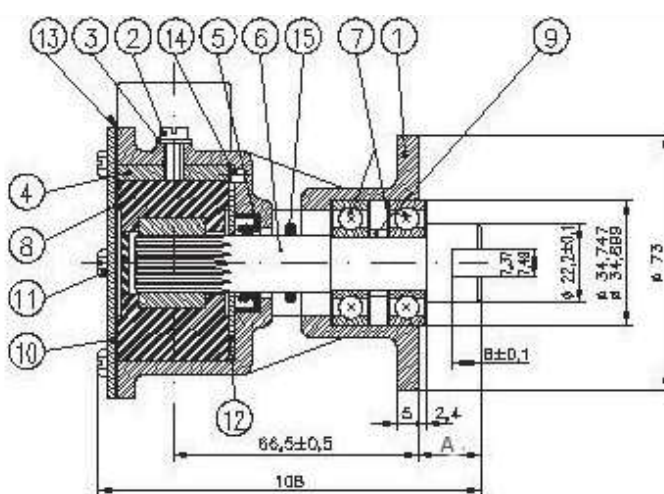
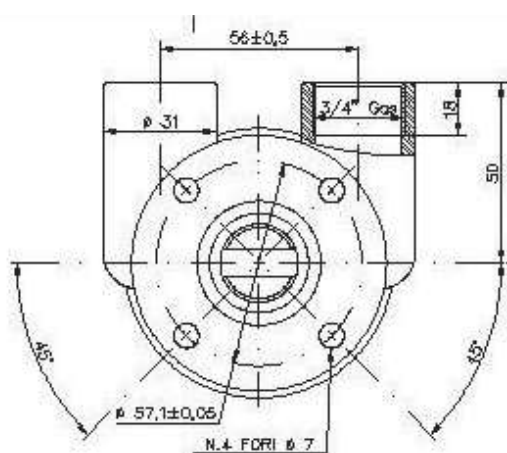


Tipo pompa : FPR 048- A=20,5 - *Service Kit : 5335

Codice per ordine : 549

048: JOHNSON : F5B-9003-1024119-4 -JABSCO :3270-261-Cam 1/1

	700 rpm	900 rpm	1400 rpm	1750 rpm	2000 rpm	2500 rpm
Bar	l/min	l/min	l/min	l/min	l/min	l/min
0	21	27	41	49	56	60
0,3	17	22	35	45	50	57
0,6	16	20	32	40	46	55
1	14	19	30	37	42	48
1,5	13	17	27	23	38	40



POMPA TIPO FPR 047 - CODICE : 548

APPLICAZIONI :

AIFO IVECO-FPT : CO3M / SM-CP3M-B804AM / AM-

8041M / SM-8041SRM -806AM / M / 8141 M -

ARONA : AD395-AD4100M

BARNES: 2.2-2.5

BMW : B130 -

BRITISH LEYLAND : 2.2 - 2.5

C. POWER : 4.120

CT MARINE : 2.2-2.5 4.107-4.108-CT115-CT60D-LD115-LO60

DOLPHIN MARINE : Hadar II - Vega II

DTN Dieseltechnic : X4M88A

F.J. FAY : V1902BG2

FORD : FSD 425A TRANSIT

HIGH POWER Marine : 2.5 - 4-108

KITT Motor : KITT 2000 - KITT 3000

KUBOTA : KITT2000 - KITT300

LISTER PET. : 2722 CS4 - 2725 CS6 -

MATRA : XD2P - X2PS TURBO

MEAKES J.G. : JGM2500D - 2,5 LITRI

MERCEDES : OM 636

NANNI : MB180 - MB220 - MB300

: 4.195HE - 4.200HE - 4.220HE

: 195M1R - 198M1R - 198M1R - 207M1R -

O M D

PEGASO : 9140 S

PERKINS : 4.107 M - 4.108 M / LL - 4.195 HE - 4.199 HE -

4.180M/LL - 4.200HE - 4.220 HE - 4.236LL - 4.238LL

RUGGERINI : RDM901 - RDM902 - PM10 / 2

SAME-ADIM : 1003W - 1004W

SABB : 2J - L2.093 - L3.139 - L4.186 -

SABB : M 2.210 - M 4.210 - M 4.295

TEMPEST: Commander 2,5LR / 50 - Sea Prince 3000S

THORNYCROFT : 152 - 154 - 138 - 160

UNION Motori : XD2P

V M : 103MH11 - 103MH11/SV - 104MH11 - 106MH11

106MH11 /SV - 106DAN M --804M - 806M

VYTHOULCAS : K3E - K3H - K3M

07/01/2014

Pezzo	Quantità	Descrizione	Description	Cod
15	1	O-RING	O-ring	5204
14	1	SPINA ELASTICA	Spring pin	1522
*13	1	GUARNIZIONE	Gasket	1965
12	1	RASAMENTO	Shim	1801
*11	6	VITE	Screw	1406
*10	1	COPERCHIO	Cover	1838
9	1	DISTANZIALE		1148
*8	1	GIRANTE	Impeller	1393
7	2	CUSCINETTO	Ball bearing	2066
6	1	ALBERO x 047	Shaft	1924
6	1	ALBERO x 048	Shaft	1929
*5	1	ANELLO TENUTA	Lipseal	5109
*4	1	CAMMA	Cam	1818
*3	1	RONDELLA	Washer	1440
*2	1	VITE	Screw	1441
1	1	CORPO POMPA	Body	2009

POMPA TIPO FPR 048 - CODICE : 0549

APPLICAZIONI :

AIFO IVECO FPT: 8031 M55 - 8041 SM / SRM - CO1DM - 2DM

AIFO IVECO FPT: 3DM -

HERALD Marine : 4.50

NANNI : 4.110 L - 4.110 HE - 4.110 HLE - 4.180 HE

NANNI : 4.190 HE / 300

SCHWARTING : S 615 - S 616 - S 617 - S 617A - S 636

TEMPEST : Commodore 53